

# LOCKING SYSTEM EURO 2000

## 3.31.20XX.1



with profile-cylinder and 3 keys

Date of issue 05/2017 • All specifications are approximate • Errors and changes excepted • Product photos are for illustration purposes only

### Available options:

- door thicknesses 56 - 60 mm, 76 - 80 mm, 86 - 90 mm, 96 - 100 mm, 106 - 110 mm, 116 - 120 mm, 136 - 140 mm, 156 - 160 mm
- electronic status indicator profile-cylinder
- electronic status indicator inside handle
- Multiple Locking System Euro 2000
- Locking System Euro 2000 single with latch

MADE

IN

GERMANY

### FEATURES

Operation angle	90°
Mounting	10 x Countersunk screw M5
Temperature range	-40°C up to +80°C
Cap	luminescent
Model	right hand and left hand mountable
Tested up to	200.000 cycles

### MATERIAL & FINISHING

Housing, Cap	Plastic, dyed
Handle	Stainless steel
Inside and outside guide	Zinc die-casting, plated
Conformity of the materials	all materials used are RoHS and REACH compliant

# ASSEMBLY INSTRUCTIONS

## 3.31.20XX.1

### ASSEMBLY

- 01 Insert the outside guide (Pos.6) into the hole provided for the door and mount it with 4x countersunk screws M6 to the front of the door.
- 02 Insert the inside guide (Pos.7) into the hole of the door and also mount it with 6x countersunk screws M6 to the inside of the door.
- 03 Screw in the cylinder screw (Pos.9) with the bushing (Pos.8) into the inside guide (Pos.7), taking care of the tapped hole, „R“ for the right version and „L“ for the left version.
- 04 Insert the inlay (Pos. 5) into the outside guide (Pos.6) while observing the insertion position „R“ for the right version and „L“ for the left version.
- 05 Insert the outside handle (Pos.1) through the outside guide (Pos.6). The pipe of the outside handle should point vertically upwards.
- 06 The tolerance space of the locking system must be reduced to a minimum by removing or adding tolerance rings (Po.10).
- 07 Screw the hexagon head screw M8x10 (Pos.12) with the washer (Pos.11) through the inside handle (Pos.2) into the square pin (Pos.4) of the outside handle (Pos.1).
- 08 Depending on the door thickness, insert 1 to 4 washers (Pos.10) over the square pin (Pos.4) of the outside handle (Pos.1) and place the inside handle (Pos.2) on the square pin (Pos.4) ) to lead. The pipe of the inside handle must be horizontal.
- 09 When tightening the hexagonal screw (Pos.12), make sure that the side flanks of the hexagon head are horizontal so that the cover cap (Pos.13) can be inserted into the inside handle (Pos.2). The hexagon socket screw (Pos.12) is thus secured against twisting.
- 10 Insert the cover cap (Pos.13) into the inside handle (Pos.2) and install it with the Phillips screw (Pos.14).

### PROFILE CYLINDER REPLACEMENT

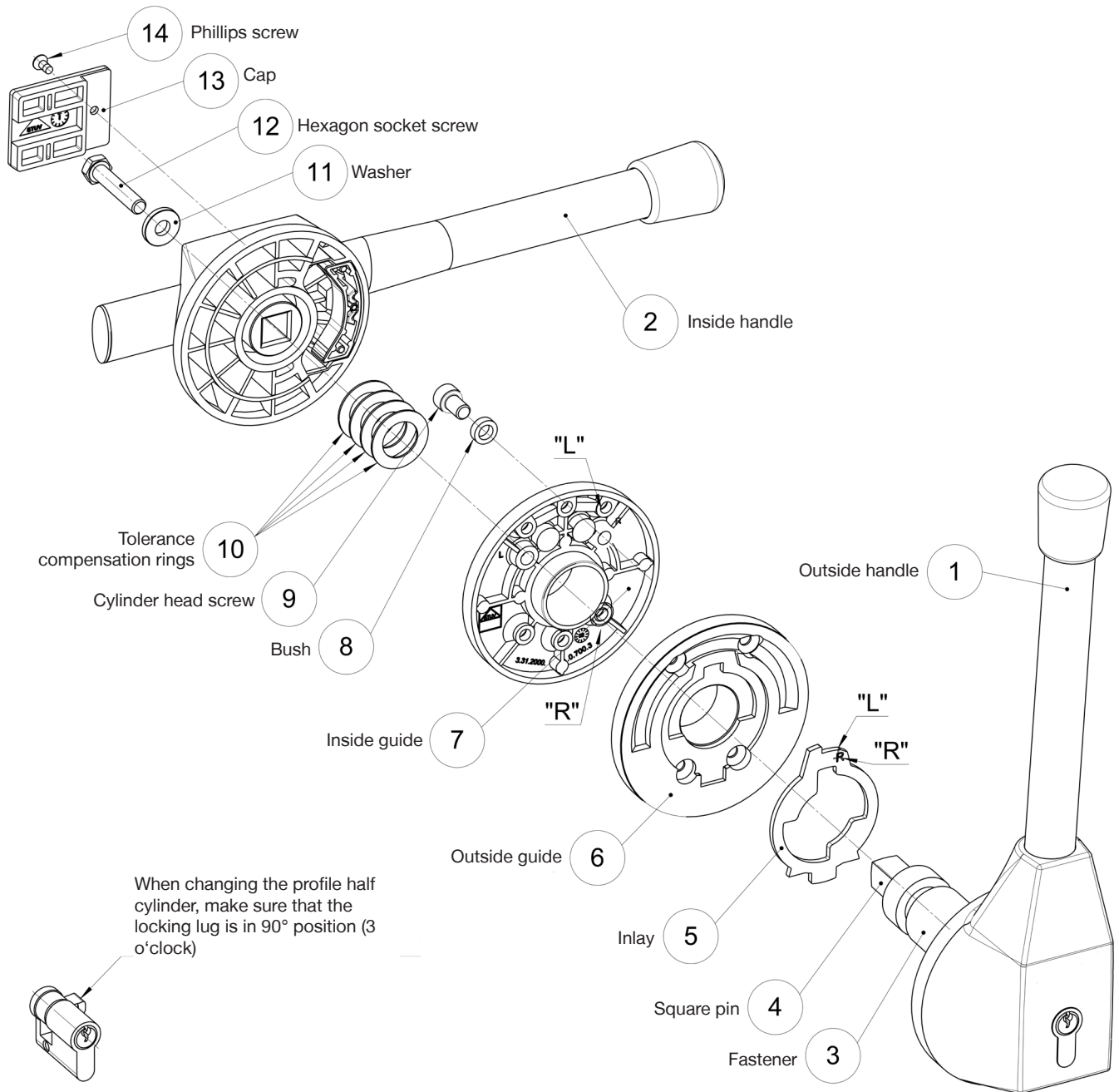
When changing the profile half cylinder, make sure that the locking lug is in 90° position (3 o'clock)

### SAFETY NOTICE

For safety reasons a second person must be on the outside of the door when testing the emergency escape function with the door installed

# ASSEMBLY INSTRUCTIONS

## 3.31.20XX.1



# DRILLING PATTERN

## 3.31.20XX.1

